

USB 2.0 cable with Mini B plug RIGHT ANGLED, UL cable material, 50cm

Product number CU-B1R-05-BK

Length 500mm



Product description

USB 2.0 cable with angled Mini B plug, 50cm, USB A plug straight to Mini B plug 90°, version: ANGLED TO THE RIGHT, high quality: 28AWG/1P 24AWG/2C

Key features

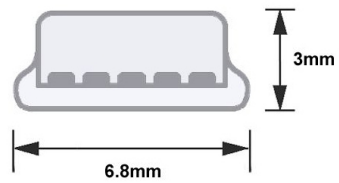
- Angled MINI B USB 2.0 connection cable
- Special feature: with UL cable material from brand manufacturer, e.g. UL 2725, E238846, 80°C, 30V, VW-1
- Quality: PREMIUM
- double shielding with foil shield + braid shield
- shielded connectors
- moulded plugs
- moulded strain relief
- data cores as twisted pair (in accordance with USB standard)
- copper cores (CU, no inferior CCA)
- thicknesses: AWG28/1P + AWG24/2C (according to USB standard)
- with AWG24 thicker copper cores for 5V power cables
- USB 2.0 compatible + downwards compatible with USB 1.1
- suitable for 480 MBit/s (high speed), 12 MBit/s (full speed) and 1.5 MBit/s (low speed)
- Connection 1: USB 2.0 plug type Mini B 90° angled RIGHT (to peripheral device/downstream)
- Connection 2: USB 2.0 plug type A straight (system side/upstream)
- Colour: black
- Customs tariff number for USB cable: 85444290
- CE, WEEE, RoHS compliant: 2011/65/EU, 2015/863 (EU)

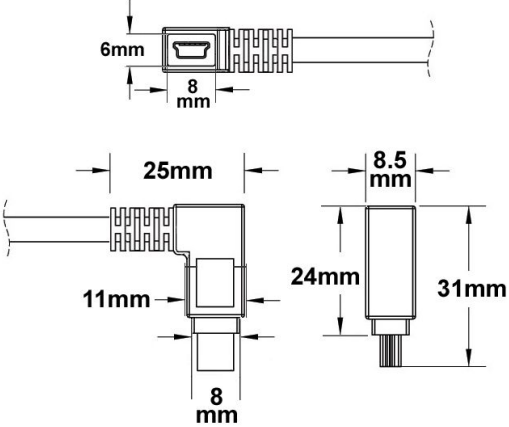
More images



parts
data

USB 2.0 Mini B





USB Mini B

