

Angled MINI USB cable: USB A to Mini B ANGLED RIGHT 5m

Product number CU-B2RS-50

Length 5000mm



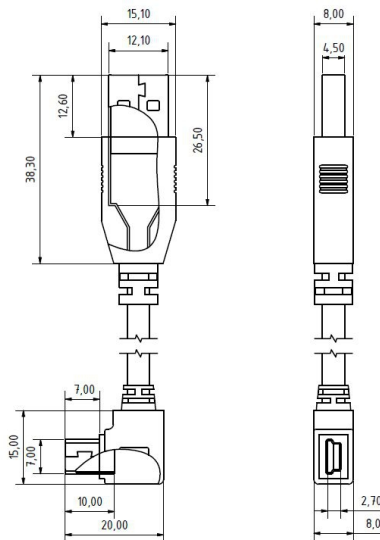
Product description

USB cable with angled mini B plug, RIGHT VERSION, 5m, with very small Mini B plug

Key features

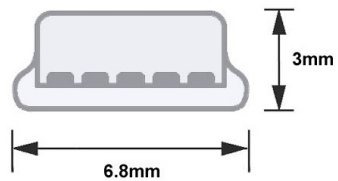
- USB 2.0 connection cable with **Mini B 90° angled plug**
- CONNECTOR 1: USB 2.0 plug type Mini-B 90° male angled RIGHT (to peripheral device / downstream)
- CONNECTOR 2: USB 2.0 plug type A male (system side / upstream)
- particularly small, angled Mini B plug design
- gold-plated contacts
- double shielding (foil + braid shield)
- wire gauges: AWG 28 (data strands) and 24 AWG (power strands)
- USB 2.0 High Speed + downward compatible to USB 1.1
- suitable for 480 MBit/s (high speed), 12 MBit/s (full speed) and 1.5 MBit/s (low speed)
- cable diameter: approx. 4.5mm
- colour: black
- CE, WEEE, RoHS compliant

More images



parts data

USB 2.0 Mini B





Anwendungsbeispiel
Example of use
Exemple d'utilisation



Anwendungsbeispiel
Example of use
Exemple d'utilisation



