

Cat.6 flat patch cable U/FTP black, PIMF, copper, 3m

Product number B6-FBBK-030

Length 3000mm



Product description

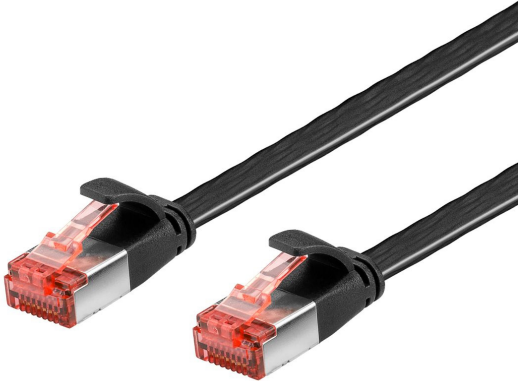
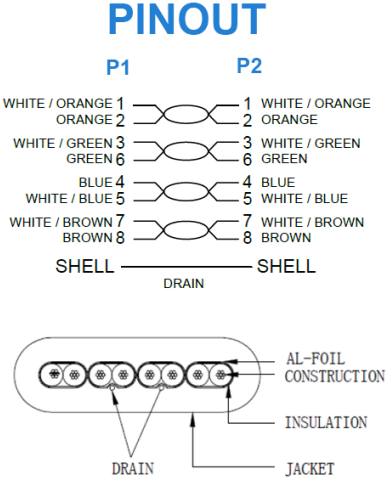
Cat.6 flat patch cable U/FTP black, PIMF, copper, 3m

Key Features

- Cat. 6 SLIM Ethernet network cable as flat cable / ribbon cable
- 2x RJ45 plug (8P8C) with gold-plated contacts (3μ)
- plug front color coding in RED for marking Cat. 6
- bend protection moulded on both sides with strain relief and length specification
- shielding class: U/FTP (foil aluminium, single)
- shielding type: PIMF (pairs in metal foil)
- inner conductor material: CU (copper) 4x2xAWG 7/32 BC
- material outer jacket: PVC
- height of flat cable jacket: 1.8 mm
- width of flat cable jacket: 6.6 mm
- short connector design (space-saving)
- max. bandwidth: 250 Mhz
- pintout according to EIA/TIA 568B
- with locking lug protection
- impedance: 100 Ω
- small bending radius
- RoHS compliant
- colour: black

Hersteller / Importeur - Manufacturer / Importer - Fabricant / Importateur
Wentronic GmbH, Pillmannstr. 12, 38112 Braunschweig, Germany, info@goobay.de

More images



Flachkabel
ribbon cables
câbles plats

