

# USB 3.0 cable AB very short 25cm

**Product number** BU-025-SW

**Length** 250mm



## Product description

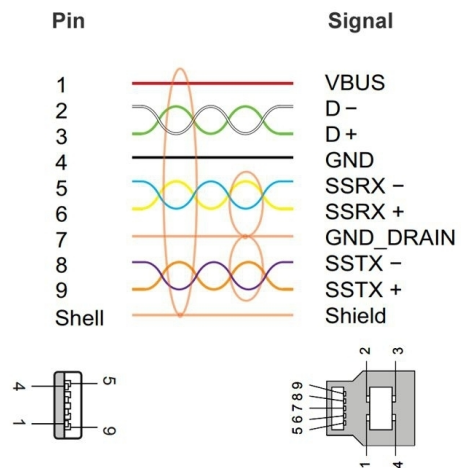
USB 3.0 cable, very short: 25cm, double shielded, Super Speed Mode (max. 5Gbps), USB3 A plug male to USB3 B plug male, colour: black

## Key features

- **USB 3.0 cable** type A to B
- Length: approx. 25cm
- CONNECTOR 1: **USB 3.0 A** plug (male)
- CONNECTOR 2: **USB 3.0 B** plug (male)
- Double overall cable shielding with braid + foil with drain wire
- inner conductor AWG28, copper (CU)
- Cable construction [(7x0.12 BC\*1P)+ 7x0.12 BC+FAM]\*2C+(7x12BC\*1P)+7x12BC\*2C+7x12BC+AEB(6X16X0.12AL)
- Outer jacket: PVC
- USB 3.0 **SuperSpeed** compatible
- Downward compatible with USB 2.0 and USB 1.1
- suitable for data transfer rates of up to **5 Gbit/s**
- as charging cable max. power of **15 W**
- Contact carrier in blue according to USB 3.0 standard
- Colour: black
- Cable diameter approx. 5mm
- e.g. for printers, servers, cameras, external USB hard drives
- Customs tariff number: 85444290
- Branded product
- CE, WEEE, RoHS compliant


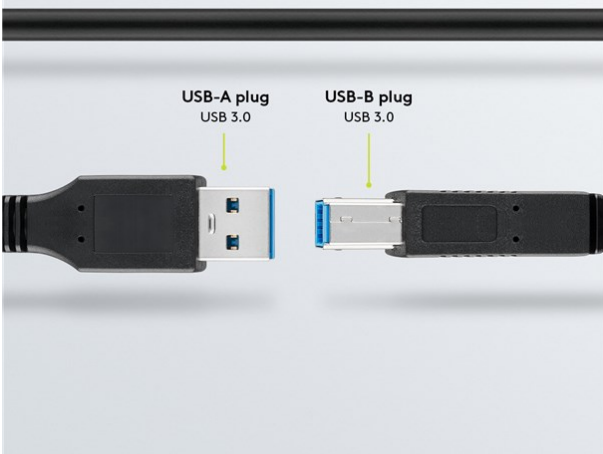
## More images

### Many New Options for higher flexibility

### Fast & Reliable Connection available in various lengths

Cable lengths  
0.25 m - 5 m




### USB 3.0 Cable

USB-A plug to USB-B plug

-  Cable length 0.25 - 5 m
-  SuperSpeed up to 5 Gbit/s
-  Double-shielded
-  Compatible with USB 2.0 & 1.1



## Versatile Use

for a stable data connection



Computer & laptop



External hard drives  
& other drives



Printers, scanners  
& 3D printers



Audio interfaces  
& MIDI devices



Docking stations  
& USB hubs

