

Angled MINI USB cable: USB A to Mini B ANGLED RIGHT 2m with 1 ferrit core

Product number CU-B2RS-F-20
Length 2000mm



Product description

USB cable with angled mini B plug, RIGHT VERSION, 2m, with very small Mini B plug, with 1 ferrit core

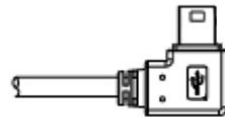
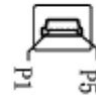
Key features

- USB 2.0 connection cable with Mini B angled plug 90°
- with 1 ferrite core (close to the A plug)
- Length: 2 metres | 2m
- Connection 1: USB 2.0 plug type Mini-B male 90° angled RIGHT (to peripheral device / downstream)
- Connection 2: USB 2.0 plug type A male (system side / upstream)
- Particularly small, angled Mini B plug design
- Double shielding (foil shield + braid shield)
- Wire gauges: AWG28 + AWG24, copper (CU)
- i.e. thicker copper cores for the 5V power lines
- Data cables as twisted pair
- USB 2.0 high speed and downward compatible with USB 1.1
- Suitable for 480 MBit/s (high speed), 12 MBit/s (full speed) and 1.5 MBit/s (low speed)
- Cable diameter: approx. 4.1mm
- Colour: black
- CE, WEEE, RoHS compliant (according to EU standards)

More images



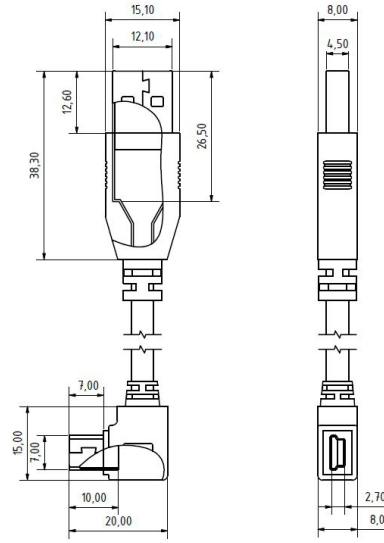
nach rechts
right
à droite



Anwendungsbeispiel
example of use
exemple d'utilisation

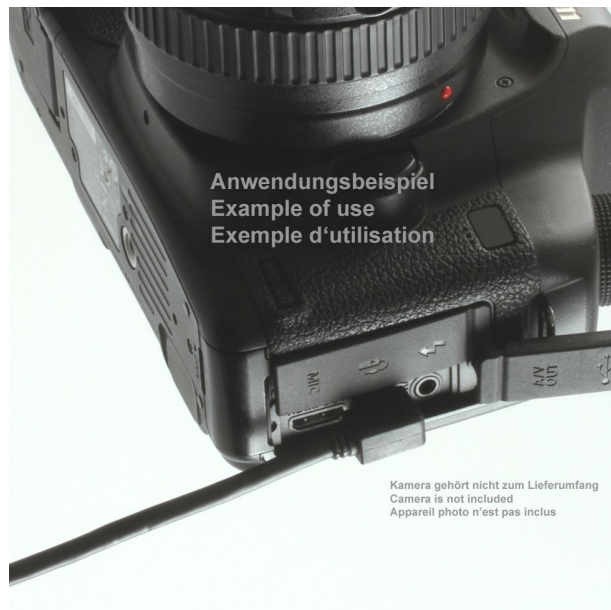
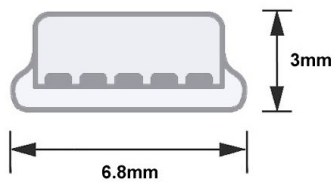
CANON EOS 5D





parts data

USB 2.0 Mini B



Anwendungsbeispiel
Example of use
Exemple d'utilisation

