

# USB power supply with 4x USB A port female 5V 4800mA

Product number PW-4



## Product description

USB power supply with 4x USB A port female, output: 5V max. 4800mA, input: 100-240V / 50-60Hz, colour: white

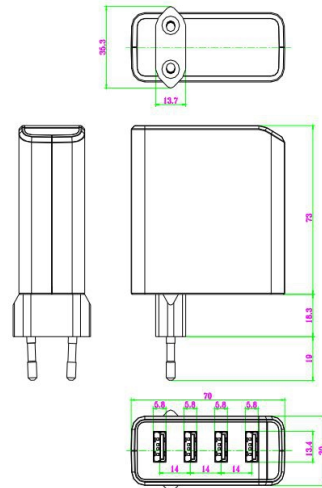
---

More images



DINIC

4x  
USB A  
Port



DINIC

