

# Very short Firewire 400 cable 6 pin to 6 pin 15cm IEEE1394a black

**Product number** CF-66-001-BK

**Length** 150mm



## Product description

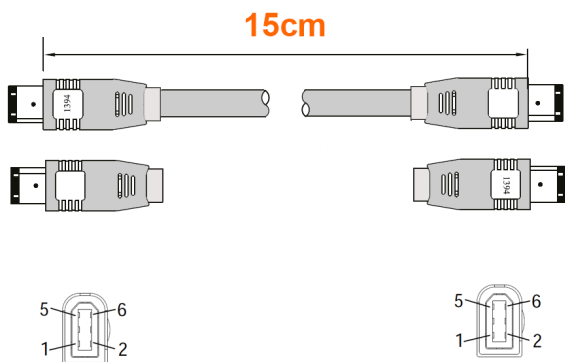
Firewire cable 6-pin to 6-pin, very short version: 15cm, high quality, 400 MBit/s, IEEE1394a compatible (for Firewire 400, S400, DV), colour: black

---

## key features

- short Firewire 400 cable 6/6
- **length: about 15cm**
- 6-pin Firewire plug on both ends
- double shielded with foil shield + braided shield
- the data strands are twisted in pairs
- up to 400 MBit/s
- IEEE-1394a compliant
- S100, S200 and S400 compatible
- supports bus power
- colour: black
- customs tariff no. 85444290

## More images



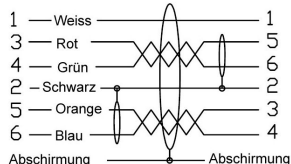
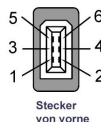
6 pins



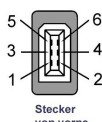
## PINOUT

**FIREWIRE 400**  
Pinbelegung FireWire 400  
PINOUT IEEE1394A 6/6

Stecker 1



Stecker 2



**Firewire 400**

6 PINS BOTH SIDES  
EVERY PIN CONNECTED  
BUS POWER CONNECTION INCLUDED